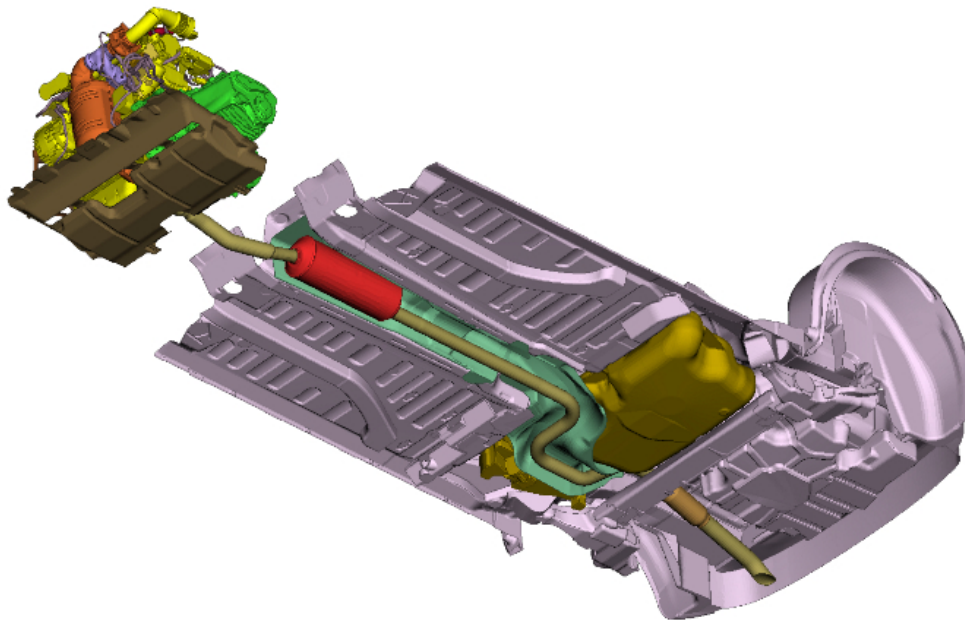


## BETA CAE Systems announces the release of the v20.0.4 of its software suite

May 12, 2020



### About this release

BETA CAE Systems announces the fourth bug-fix release of ANSA/EPILYSIS/META v20.0.x series.

Apart from fixes in the detected issues, this version also hosts noteworthy enhancements and implementations.

Follows a selection of the most important items:

### Contents

[Enhancements and known issues resolved in ANSA](#)

[Enhancements and known issues resolved in META](#)

[Compatibility and Supported Platforms](#)

[Download](#)

### Enhancements and known issues resolved in ANSA

#### Enhancements in ANSA

[CAD Import](#)

A message is now provided to report whether a Part failed to be translated within an Assembly.

[Connections & Assembly](#)

During Input of a solver file, a warning message is now generated in File Input Analytics, in case elements are moved from current model into a connection FE-Representation.

## IGA

Output CAD > STEP now supports ELEMENT\_SHELL\_NURBS\_PATCH entities.

## Known issues resolved in ANSA

### ModelBrowser

Long delay might occur when opening ANSA database and Model Browser, due to excessive number of hidden Part Instances.

### Volume Mesh

Unexpected termination could occur when applying Volumes > Fix Quality, especially when following Conv2Poly execution.

### Connections & Assembly

Upon execution of File > Output > Connections [XML] [Selected], Spotweld Lines, Adhesive Lines, Screws, Bolts and Robscans were not exported.

Applying an Assembly Scenario, in Template Manager, could take excessive time.

### CFD DECKs

Unexpected termination could occur during input of CGNS 2D files, in case they were written in "separated" format.

### Plugins

Test/Impact Device Positioning Plugin could not run for NASTRAN or not-supported solvers.

For more details about the new software features, enhancements and corrections please, refer to the Release Notes document.

## Enhancements and known issues resolved in META

### Enhancements in META

#### LS-DYNA

Electromagnetic results are now supported.

#### Optimization SOL200 Plot

Significant performance improvements for large .f06 files. The .f06 files are now read only once, unless its contents change.

### Known issues resolved in META

#### Collaboration Tool

DM path set to windows drive letter (eg. "C:\ ") was not recognized during collaboration.

#### Read Results – Curves

When Total was selected in SPCFORCE, the execution of the function could lead to unexpected termination.

#### Decks – Adams

Unexpected termination could occur when reading ANSA Kinetics results.

#### Cut Planes

Unexpected termination could occur when editing cloned or duplicated Planes, after the original Plane had been deleted.

#### Report Composer

METADB with relative path would not open in Report Composer's Viewer.

#### Project Files & METADB

Unexpected termination could occur when loading a simplified geometry METADB with annotations on nodes, which were removed

during the simplification process.

For more details about the new software features, enhancements and corrections please, refer to the Release Notes document.

## Compatibility and Supported Platforms

ANSA files saved by all the first and second point releases of a major version are compatible to each other. New major versions can read files saved by previous ones but not vice versa.

META Project files saved from version 20.0.4 are compatible and can be opened by META version 16.0.0 or later. To be readable by META versions earlier than v20.0.0, they have to be saved selecting the option "Version 16.0.0" or "Version <16.0.0".

Support for Mac OS has been discontinued.

Support for 32-bit platform has been discontinued for all operating systems.

## Download

### Where to download from

Customers who are served directly by BETA CAE Systems, or its subsidiaries, may download the new software, examples and documentation from their account on our server. They can access their account through the "sign in" link at our [web site](#). Contact us if you miss your account details. The Downloads menu items give you access to the public downloads. Customers who are served by a local business agent should contact the [local support channel](#) for software distribution details.

### What to download

All files required for the installation of this version reside in the folders named "**BETA\_CAE\_Systems\_v20.0.4**" and are dated as of **May 12, 2020**. These files should replace any pre-releases or other files downloaded prior to that date.

The distribution of this version of our pre- and post-processing suite is packaged in one, single, unified installation file, that invokes the respective installer and guides the procedure for the installation of the required components.

For the installation of the software on each platform type, download from the respective folders, the .sh file for Linux or the .msi file for Windows.

In addition to the above, optionally, the META Viewer is available to be downloaded for each supported platform.

The tutorials and the example files reside in the folder named "TUTORIALS". This folder includes the complete package of the tutorials and example files, and a package with only the updated ones.

The Abaqus libraries required for the post-processing of Abaqus .odb files are included in the installation package and can be optionally unpacked.

Earlier software releases are also available in the sub-directory called "Previous\_Versions" or in a folder named after the product and version number.